



## Display Freezer

## SD 46 E



Energy efficiency class

**E**

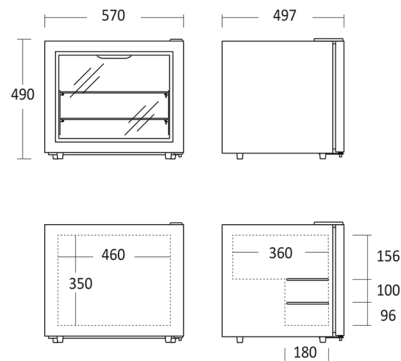
Item number	27320046E10000	Taric goods code	84185011
EAN code	5704704015753	QTY in 40HQ	410

### Short Description

#### Key features

- Self-closing hinged aluminum glass door
- 2 adjustable coated wire shelves
- LED interior light
- Static cooling

#### Measurement Drawings



#### Dimensions and weight

Product dimensions, HxWxD, mm	500 x 570 x 500
Packaging dimensions, HxWxD, mm	535 x 610 x 540
Total packaging volume m <sup>3</sup>	0,176
Gross volume, L	45
Net volume, L	42
Gross- / Net volume, L	45 / 42
Internal dimensions, HxWxD, mm	350 x 460 x 410
Gross- / Net weight, kg	34 / 30

#### Performance and consumption

Energy efficiency class	E
Daily Energy Consumption, kWh/24	7,564
Annual energy cons. kWh/a	2761
Energy Efficiency Index (EEI)	64,9
Refrigeration / freezing technique	Static
Climate class	4
Type of refrigerant / gas gr.	R290a / 40
Temperature range °C	-15 / -18

#### Installation and power

Voltage / hertz, V/hz	230 / 50
Watt / Ampere, W/A	196 / 1.2
Length of Powercord, cm	250

#### Design and comfort

Controller	Mechanical
Digital display	No
Canopy light sign	No
Internal light	1 Horizontal LED
External thermometer	No
Reversible door	No
Door- / lid type	Right hinged
Self closing door	Yes
Handle	Integrated
Number of feet	4 adjustable
Number of castors, pcs	0
Lock & Key	No

#### Colour and material

Inside Colour	Aluminum
Colour and material of door/lid	Glass
Edge trim on shelves / drawers	None

#### Interior features

Number of Shelves	2
Adjustable shelves	Yes
Shelves material	White wire
Max loading per shelves, kg	25
Large shelves size WxD, mm	432x179
Small shelves size WxD, mm	432x179

# scandomestic

Scandomestic A/S . Linåvej 20 . DK-8600 Silkeborg . Tel.: +45 7242 5571 . www.scandomestic.dk